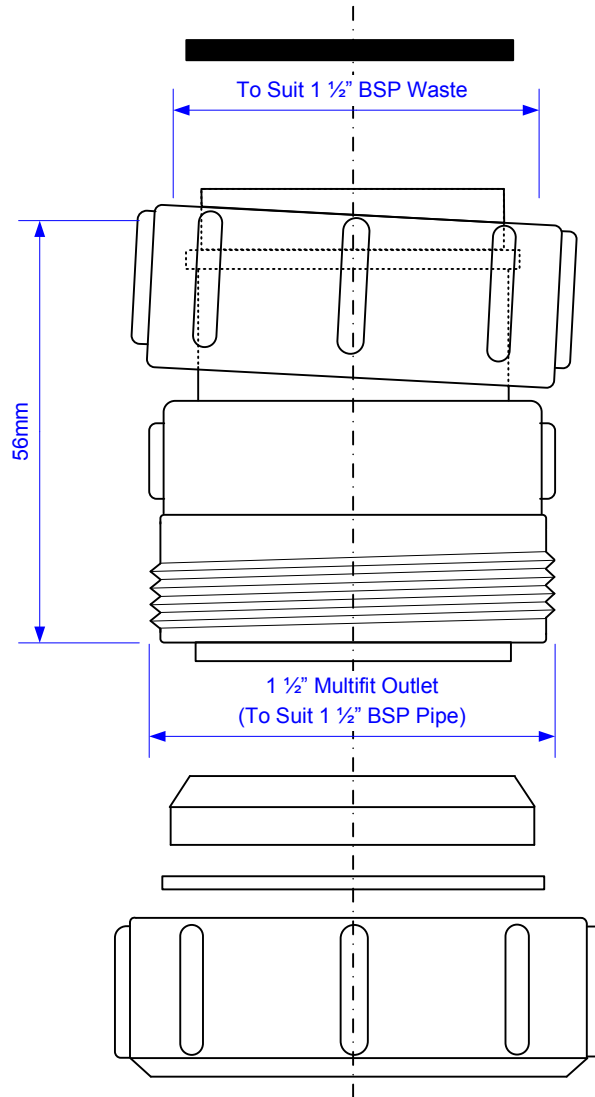


Code:

T29-LN

1 1/2" Multifit x BSP Coupling Connector



© McALPINE
08/07/2010

Drawing verified
correct as of:

28/10/2015
RM

DRAWN BY

RM

SCALE

1: 1

REVISED

16/02/2015, 17/10/2015
28/10/2015

FILENAME

T29-LN.VSD

DATE

28/10/2015